



**ENERGY  
SAVER**

**Impress your customers  
day and night with IRC halogen.  
You'll save twice over.**

**IRC halogen lamps from OSRAM offer savings of up to  
30% on your electricity costs**



SEE THE WORLD IN A NEW LIGHT

**OSRAM**



# Three shining examples



## Our most attractive energy saver: DECOSTAR® IRC

- Lower thermal output
- Average life of 5000 hours
- Constant luminous intensity and constant colour throughout the life of the lamp thanks to the longlife coating
- Constant bluish appearance of the light escaping at the back of the reflector
- Integrated shield so the lamps can be used in open luminaires to IEC 60598
- Improved protection against bleaching in the UV range thanks to UV-FILTER quartz
- Fully dimmable



**Advanced Technology**

## The power pack for accent lighting: HALOSPOT® 111 IRC

- Lower thermal output
- Average life of up to 5000 hours
- Better quality lighting thanks to optimum illumination and reduced scatter
- More light thanks to precision-engineered shape and greater reflectance
- Loss of light due to dirt and impurities is reduced thanks to a smoother reflector surface
- Cap for reduced glare and ease of handling
- Meets IEC 60598 requirements. Can be used in free-burning applications in open luminaires.
- Improved protection against bleaching in the UV range thanks to UV-FILTER quartz
- Fully dimmable



## Our smallest energy saver: HALOSTAR® IRC

- Lower thermal output
- Average life of 5000 hours
- High luminous efficacy of up to 26 lm/W
- Meets IEC 60598 requirements. Can be used in free-burning applications in open luminaires.
- Axial filament for optimum directional light
- Gold-plated/platinised base pins for corrosion protection
- Improved protection against bleaching in the UV range thanks to UV-FILTER quartz
- Fully dimmable



Standard dichroic reflector lamp	DECOSTAR® IRC
35 W	= 20 W IRC
50 W	= 35 W IRC
65 W	= 50 W IRC

Standard 111	HALOSPOT® 111 IRC
50 W	= 35 W IRC
75 W	= 50 W IRC
100 W	= 65 W IRC

Standard pin-base lamp	HALOSTAR® IRC
50 W	= 35 W IRC
75 W	= 50 W IRC
90 W	= 65 W IRC

# IRC: the technology makes the difference

The secret of the innovative IRC halogen lamp from OSRAM lies in the principle of thermal recovery. A special infra-red coating on the inside of the bulb reflects the heat back to the filament. This means that less energy has

to be sourced externally to keep the filament at its operating temperature. Result: greater luminous efficacy



**ENERGY SAVER**

**PIONEER OF IRC TECHNOLOGY**

Simply sensational: the energy-saving principle

## Change to IRC and see the savings for yourself

### Sample calculation for DECOSTAR® 51 IRC in a hotel

Total number of luminaires	2000
Lamp wattage	Standard 50 W > IRC 35 W
Replacement labour costs	\$5
Electricity costs	\$0.08/kWh

Based on lamp duration of 8760 hours per year including savings in air-conditioning running costs.

Money saved in 1 year

**AUD \$ 19,272**



### Sample calculation for DECOSTAR® 51 IRC in a shop

Total number of luminaires	300
Lamp wattage	Standard 50 W > IRC 35 W
Replacement labour costs	\$5
Electricity costs	\$0.08/kWh

Based on lamp duration of 3500 hours per year including air-conditioning savings.

Money saved in 1 year

**AUD \$ 1,155**



### Sample calculation for DECOSTAR® 51 IRC in a home

Total number of luminaires	10
Lamp wattage	Standard 35 W > IRC 20 W
Replacement labour costs	\$0
Electricity costs	\$0.10/kWh

Based on lamp duration of 2000 hours including air-conditioning savings.

Money saved in 1 year

**AUD \$ 29.00**



### Other IRC benefits at a glance:

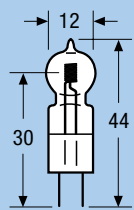
- Higher luminous efficacy
- Lower thermal output
- Lower power consumption
- Good colour rendering (R<sub>a</sub> 100)

## Calculate your savings

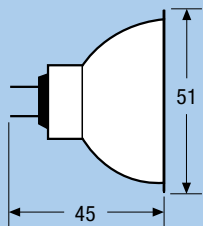
### Calculate the savings on electricity and air conditioning costs for yourself

By using DECOSTAR® IRC, HALOSPOT® 111 IRC and HALOSTAR® IRC ENERGY SAVER lamps you can save up to 30% costs compared with conventional halogen lamps. You can work out exactly how much you can save with the easy-to-use ENERGY SAVER analysis tool available on our website.

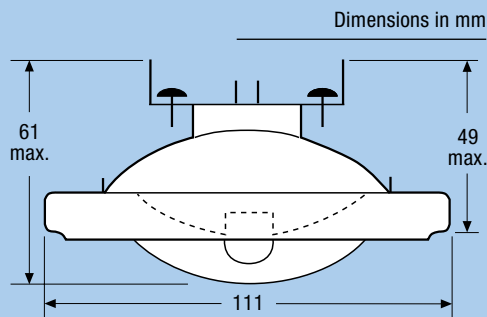
[www.osram.com.au/service/irc/irc\\_calc.html](http://www.osram.com.au/service/irc/irc_calc.html)



1. HALOSTAR®



2. DECOSTAR®



3. HALOSPOT®

## Technical Data

### OSRAM HALOSTAR® IRC in low-pressure design

Product reference	Product no. (EAN)	Wattage	Voltage	Luminous flux	Average life	Fig. no.	Standard pack
64432 IRC	4050300 <b>615905</b>	35	12	900 lm	5000 h	1	40 pcs
64440 IRC	4050300 <b>615936</b>	50	12	1250 lm	5000 h	1	40 pcs
64447 IRC	4050300 <b>785400</b>	65	12	approx. 1700 lm	5000 h	1	40 pcs

### OSRAM DECOSTAR® 51 IRC, dichroic reflector lamp with shield, dia. 51-mm

Product reference	Product no. (EAN)	Wattage	Voltage	Beam angle	Luminous intensity	Average life	Fig. no.	Standard pack
48860 SP	4050300 <b>620169</b>	20	12	10°	6000 cd	5000 h	2	20 pcs
48860 FL	4050300 <b>620183</b>	20	12	24°	2300 cd	5000 h	2	20 pcs
48860 WFL	4050300 <b>620206</b>	20	12	38°	1000 cd	5000 h	2	20 pcs
48860 VWFL	4050300 <b>620220</b>	20	12	60°	450 cd	5000 h	2	20 pcs
48865 SP	4050300 <b>516592</b>	35	12	10°	12500 cd	5000 h	2	20 pcs
48865 FL	4050300 <b>516615</b>	35	12	24°	4400 cd	5000 h	2	20 pcs
48865 WFL	4050300 <b>516639</b>	35	12	38°	2200 cd	5000 h	2	20 pcs
48865 VWFL	4050300 <b>516653</b>	35	12	60°	1100 cd	5000 h	2	20 pcs
48870 SP	4050300 <b>516677</b>	50	12	10°	15000 cd	5000 h	2	20 pcs
48870 FL	4050300 <b>516691</b>	50	12	24°	5700 cd	5000 h	2	20 pcs
48870 WFL	4050300 <b>516714</b>	50	12	38°	2850 cd	5000 h	2	20 pcs
48870 VWFL	4050300 <b>516738</b>	50	12	60°	1430 cd	5000 h	2	20 pcs

### OSRAM HALOSPOT® 111 IRC, reflector lamp, dia. 111 mm

Product reference	Product no. (EAN)	Wattage	Voltage	Beam angle	Luminous intensity	Average life	Fig. no.	Standard pack
48832 SP	4050300 <b>652823</b>	35	12	8°	approx. 22500 cd	5000 h	3	6 pcs
48832 FL	4050300 <b>656847</b>	35	12	24°	approx. 4500 cd	5000 h	3	6 pcs
48835 SP	4050300 <b>656861</b>	50	12	8°	approx. 33000 cd	5000 h	3	6 pcs
48835 FL	4050300 <b>656885</b>	50	12	24°	approx. 5800 cd	5000 h	3	6 pcs
48837 SP	4050300 <b>786070</b>	65	12	8°	approx. 45000 cd	5000 h	3	6 pcs
48837 FL	4050300 <b>786094</b>	65	12	24°	approx. 8500 cd	5000 h	3	6 pcs

## ECGs for low-voltage halogen lamps

### HALOTRONIC MOUSE®, compact design

Product reference range	Product no. (EAN)	Mains voltage	Mains current	Mains frequency	Lamp wattage	Max. partial load
HTM70/230-240	4050300 <b>442372</b>	230V -10%/240V +6%	0.27 A	50/60 Hz	70W	20-70W
HTM105/230-240	4050300 <b>442341</b>	230V -10%/240V +6%	0.42 A	50/60 Hz	105W	35-105W
HTM150/230-240	4050300 <b>581422</b>	230V -10%/240V +6%	0.57 A	50/60 Hz	150W	50-150W

### REDBACK TRANSFORMER®

ET-REDBACK 60W	4008321 <b>125798</b>	230V -10%/240V+6%	-	50/60 Hz	60W	20-60W
----------------	-----------------------	-------------------	---	----------	-----	--------